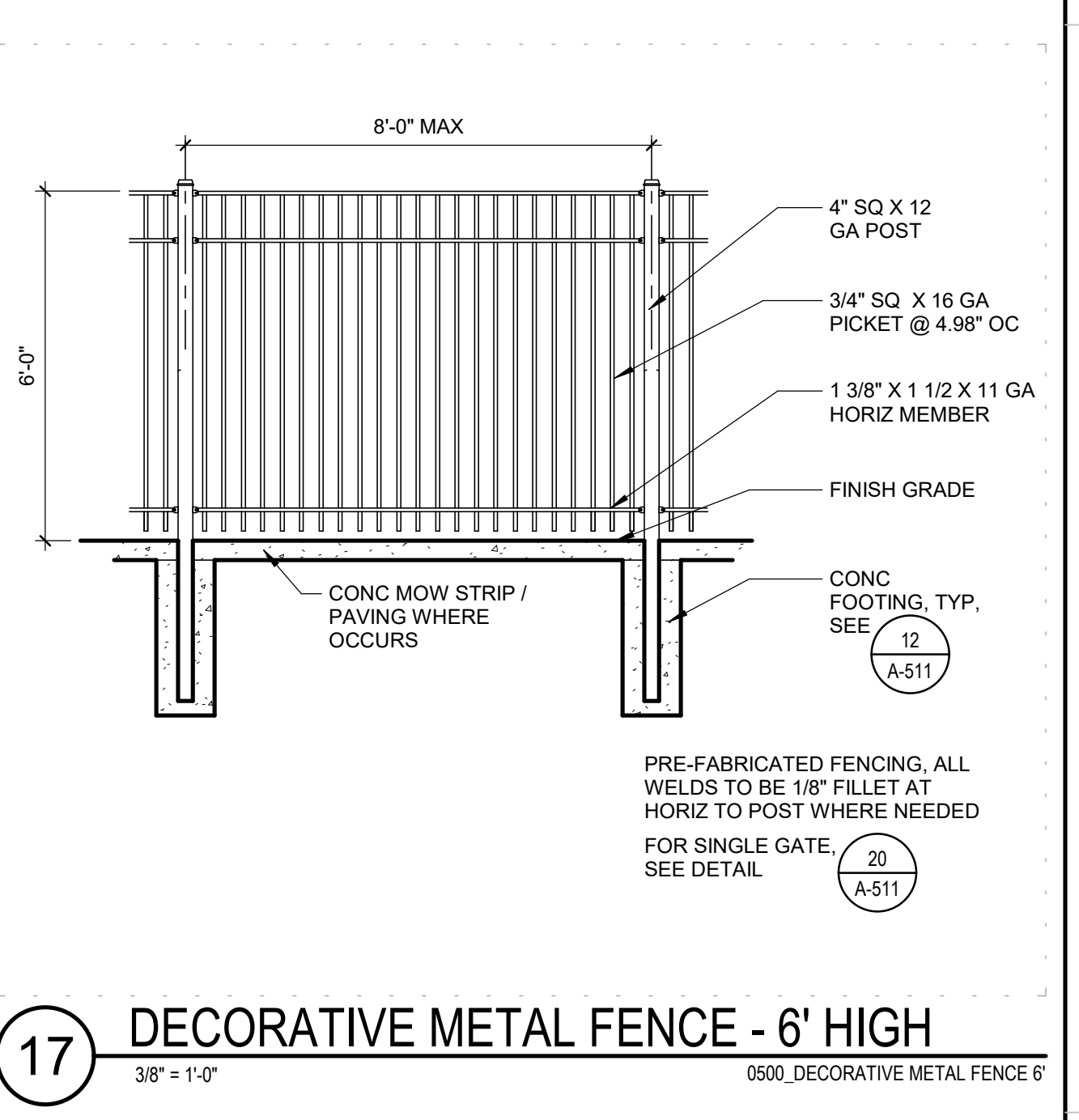
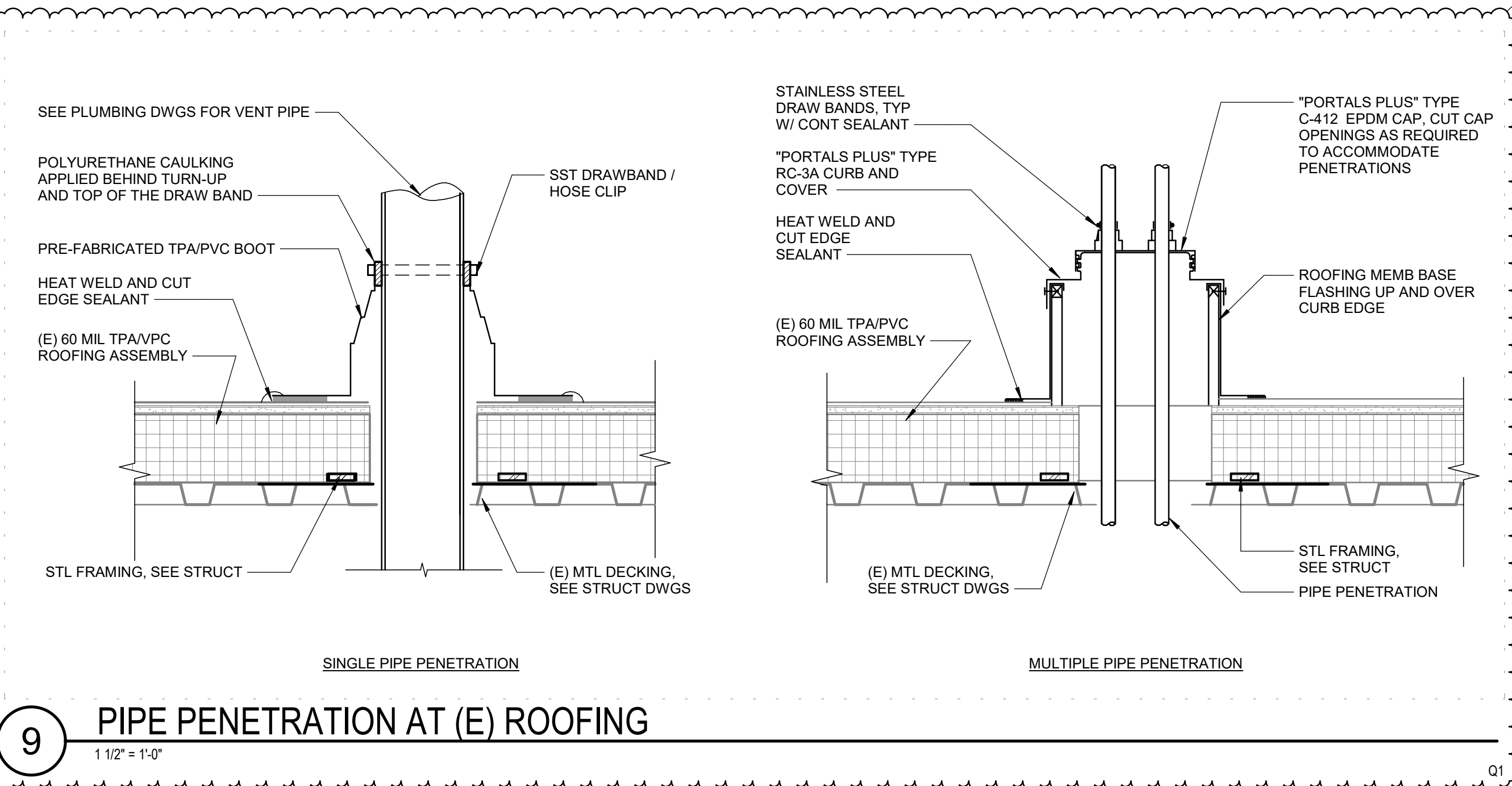


IF THIS SHEET IS NOT 30"x42" IT IS A REDUCED PRINT - SCALE ACCORDINGLY

GATE SCHEDULE

DOOR NO	HDW GP	DOORS			FRAMES		COMMENTS
		WIDTH	LEAF 2 WIDTH	HEIGHT	JAMB		
101A	101	4'-0"		6'-0"	20/A-511		DECORATIVE METAL GATE WITH PH
101B	101	4'-0"		6'-0"	20/A-511		DECORATIVE METAL GATE WITH PH
101C	102	3'-2"	3'-2"	7'-0"	(E)		REPLACE (E) FRAME AND PROVIDE 2" HOLLOW METAL FRAME AT HEADER AND JAMB. REPLACE DOOR WITH PH



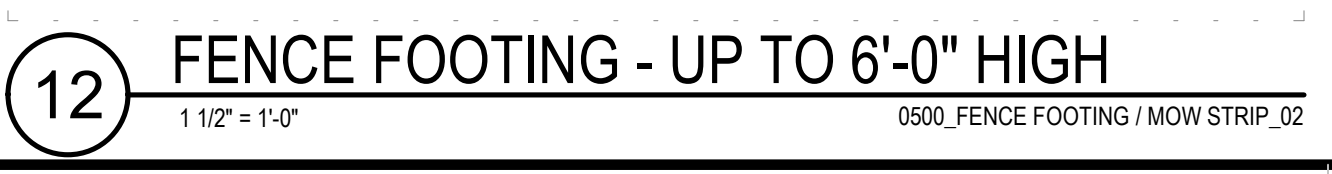
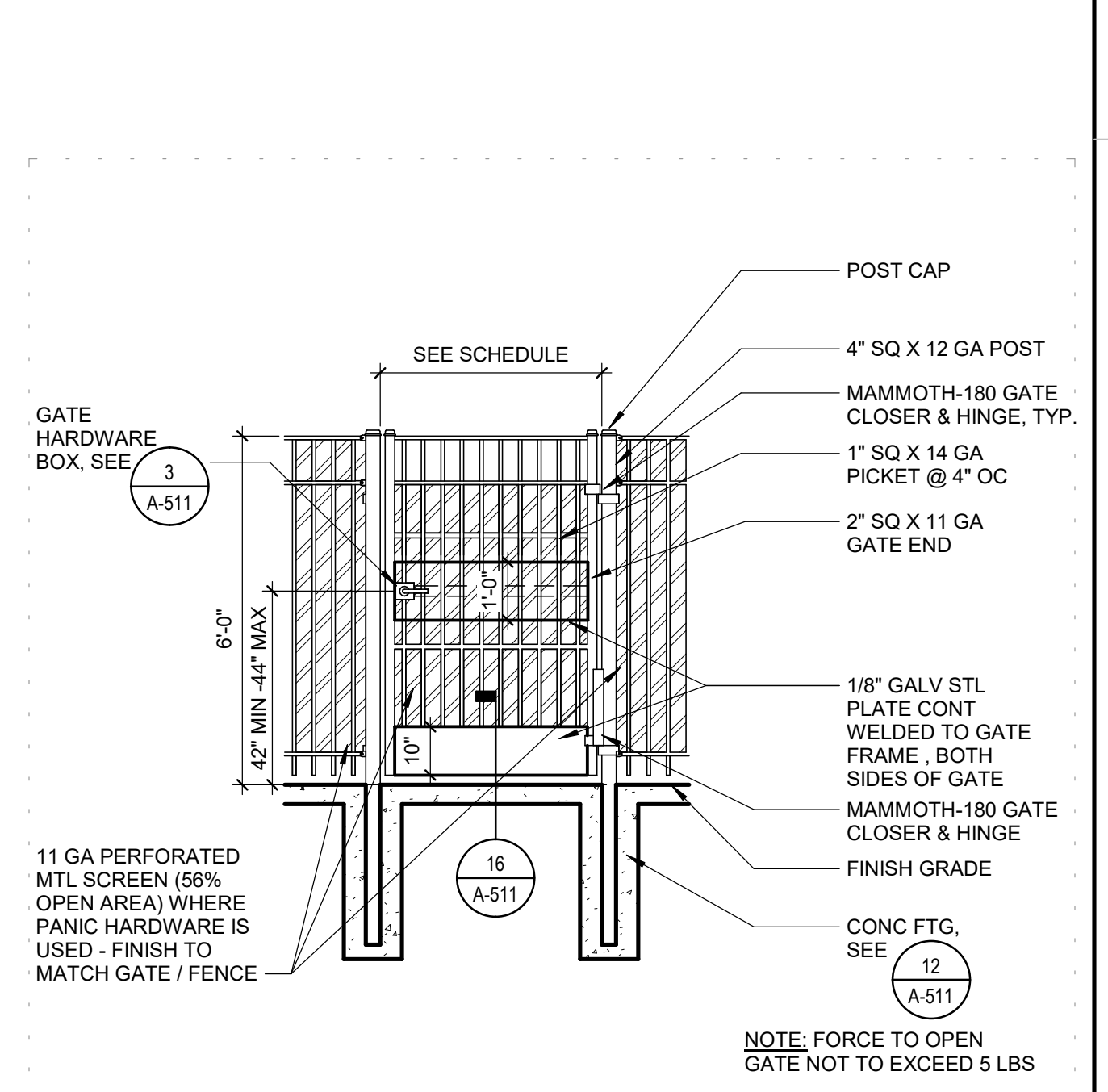
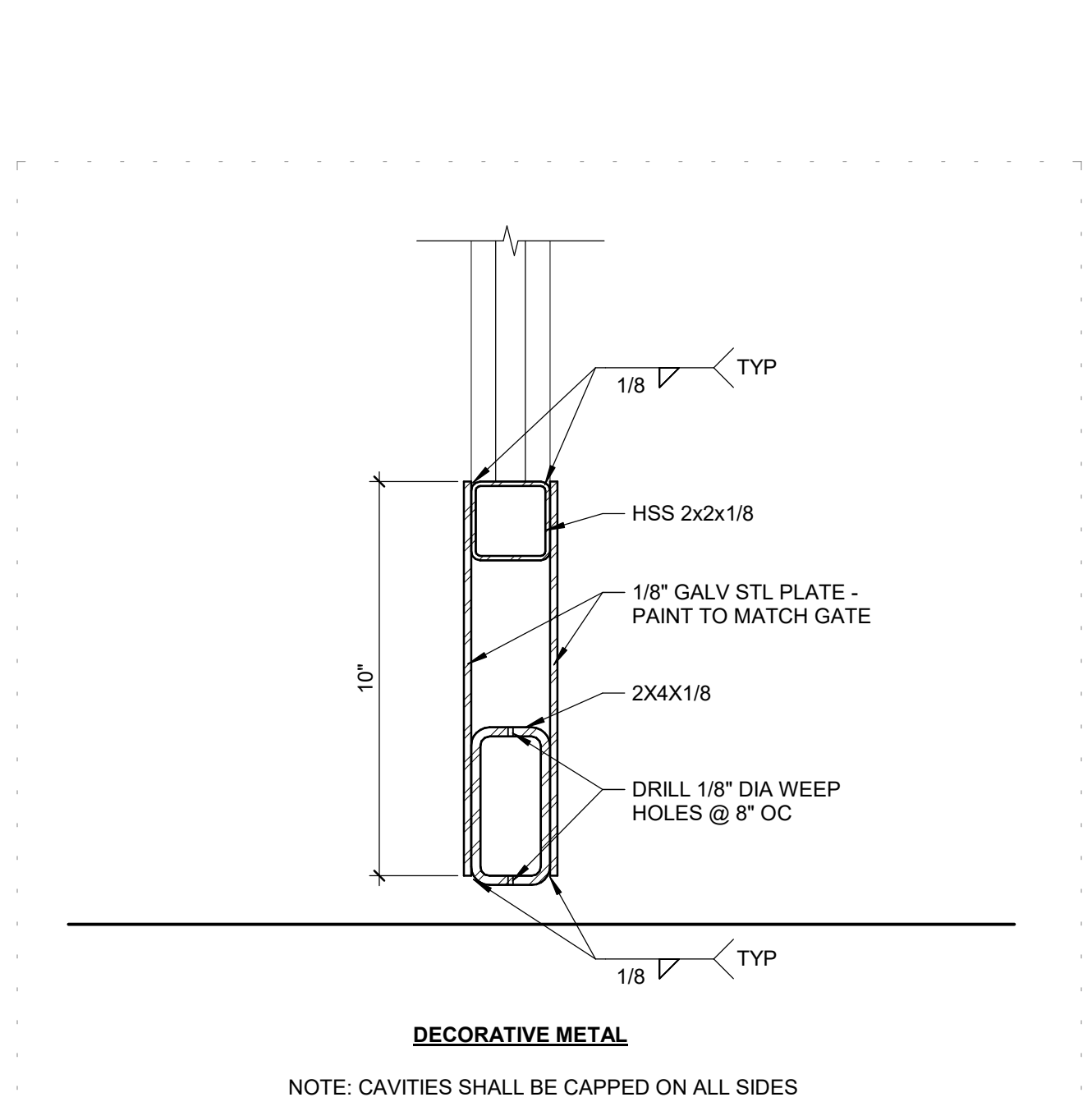
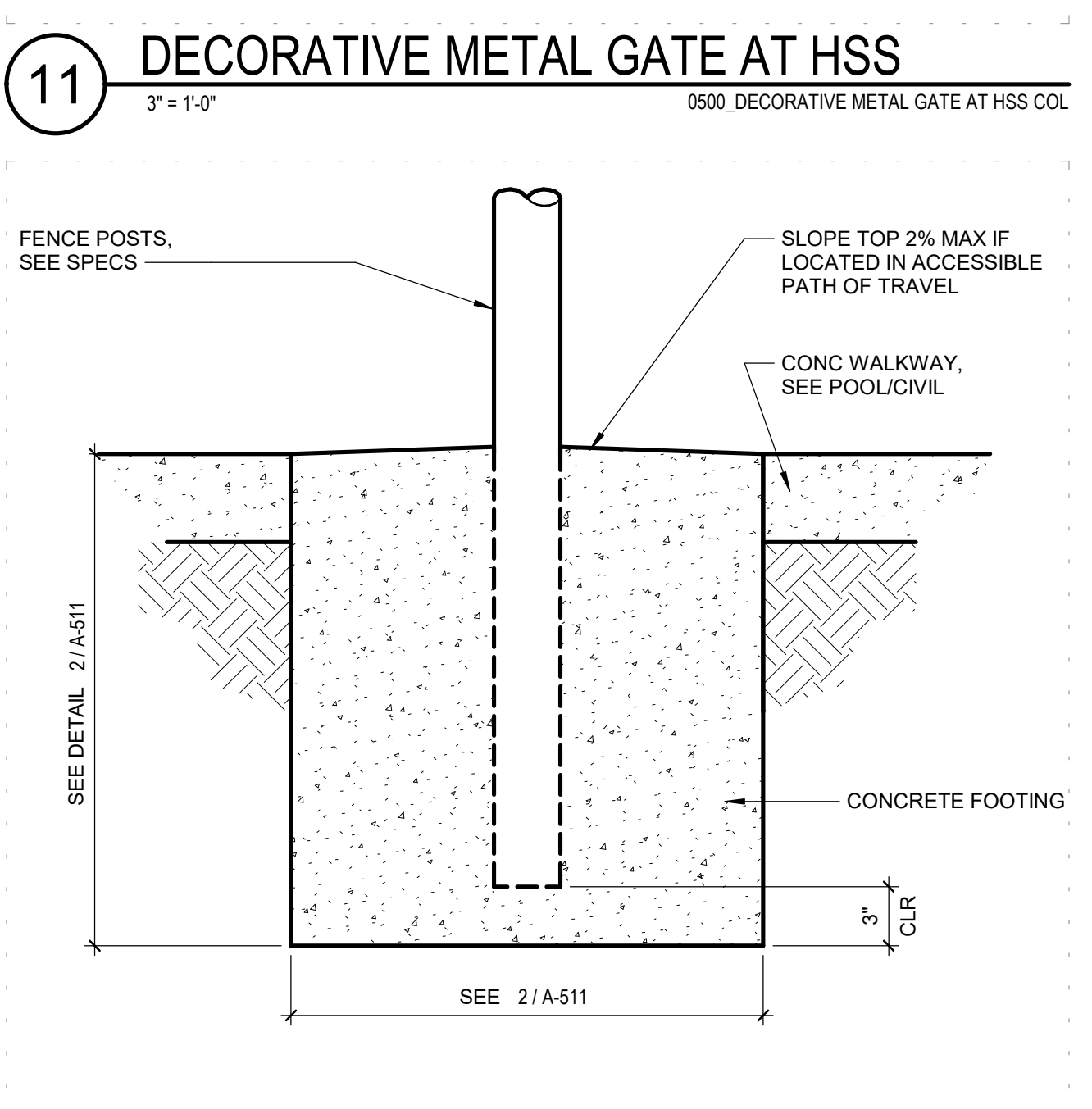
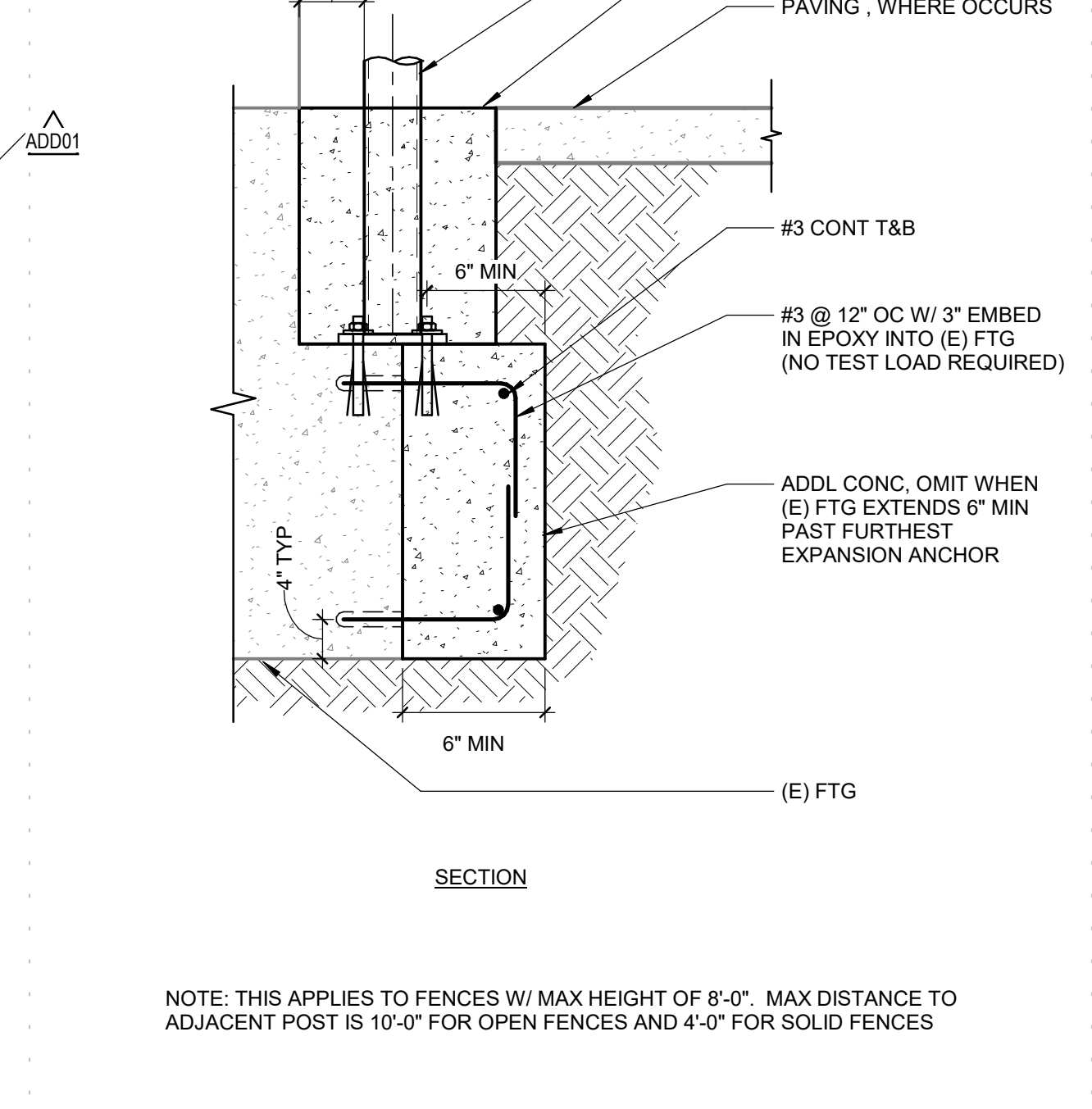
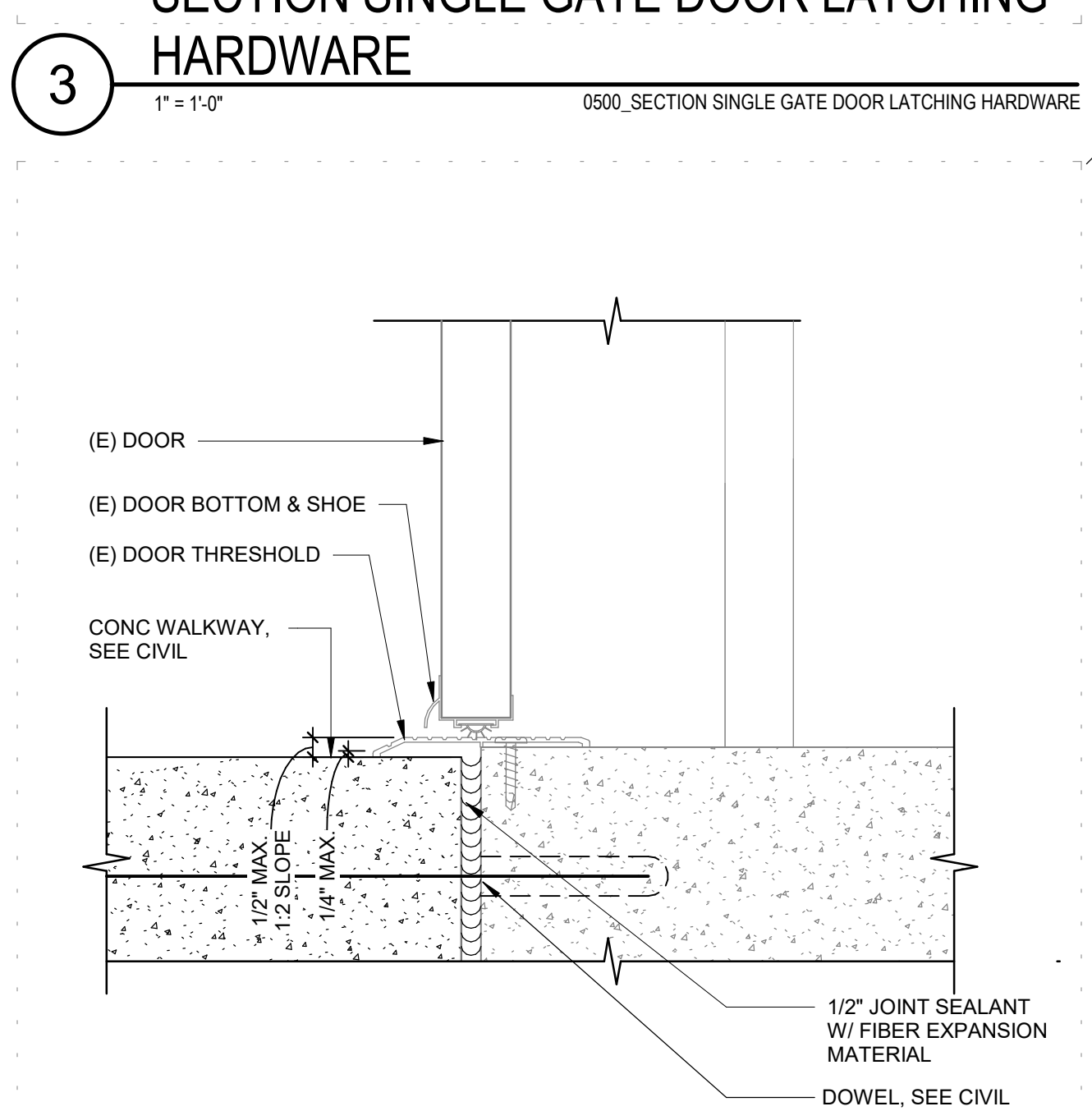
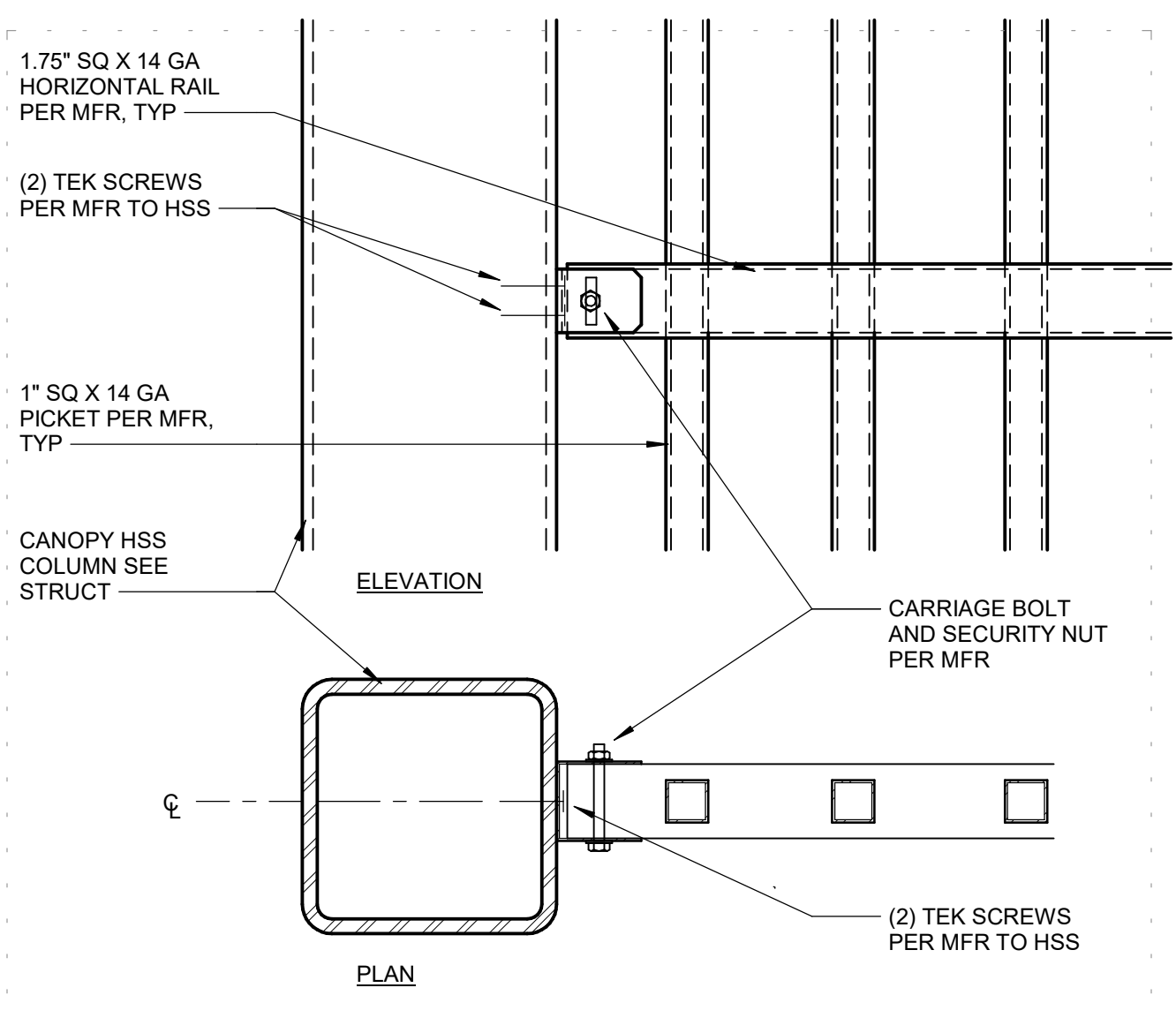
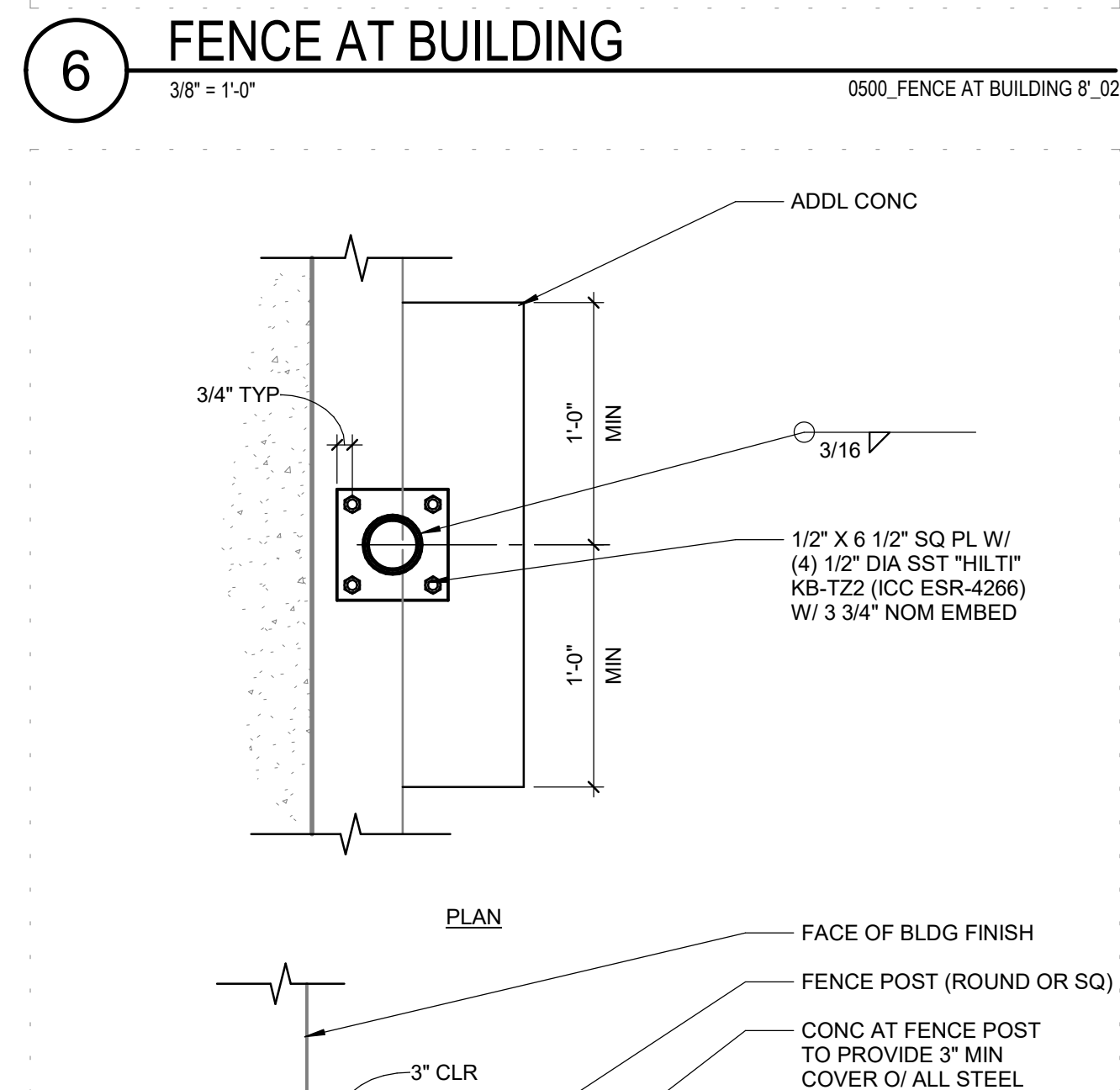
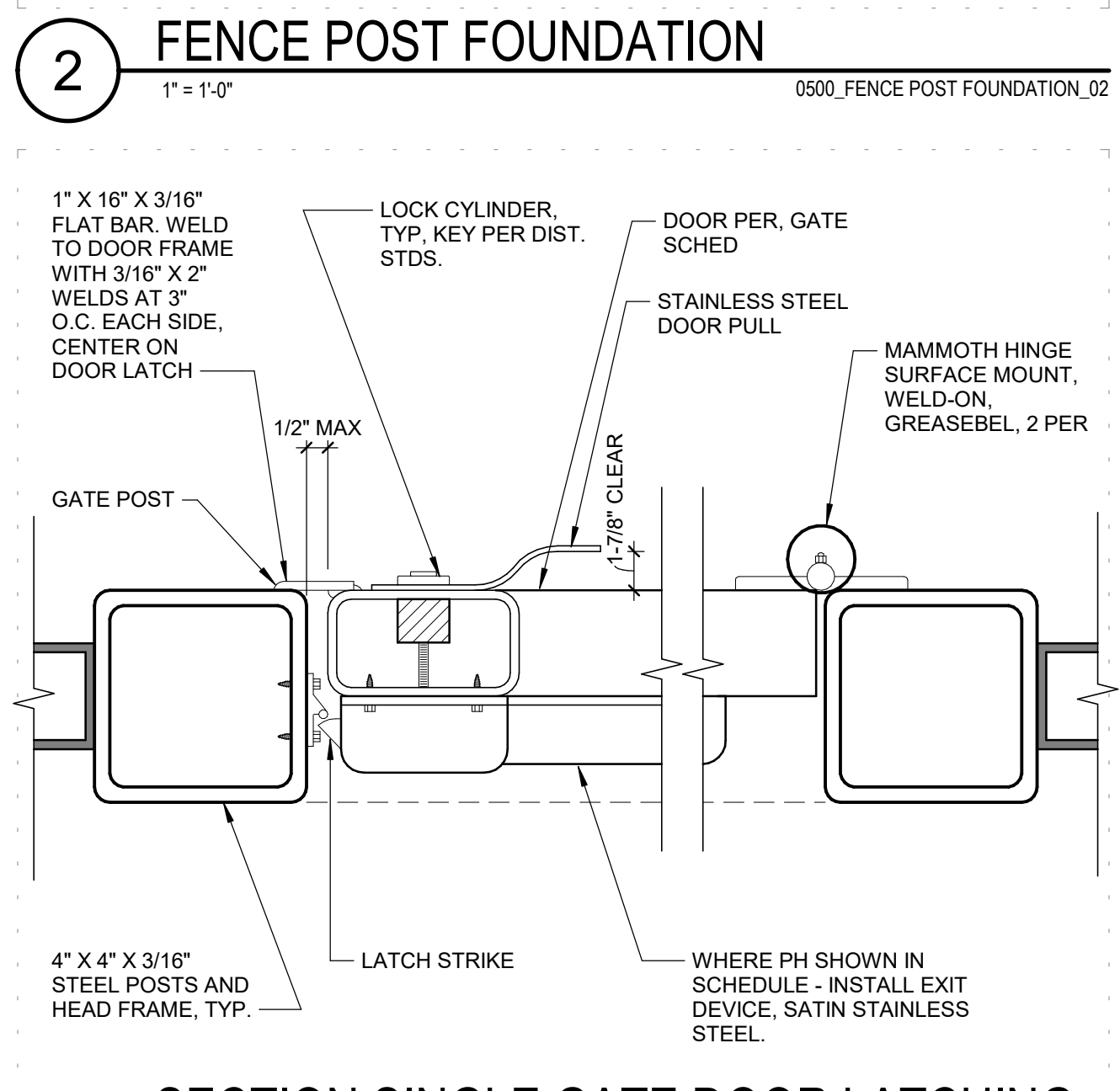
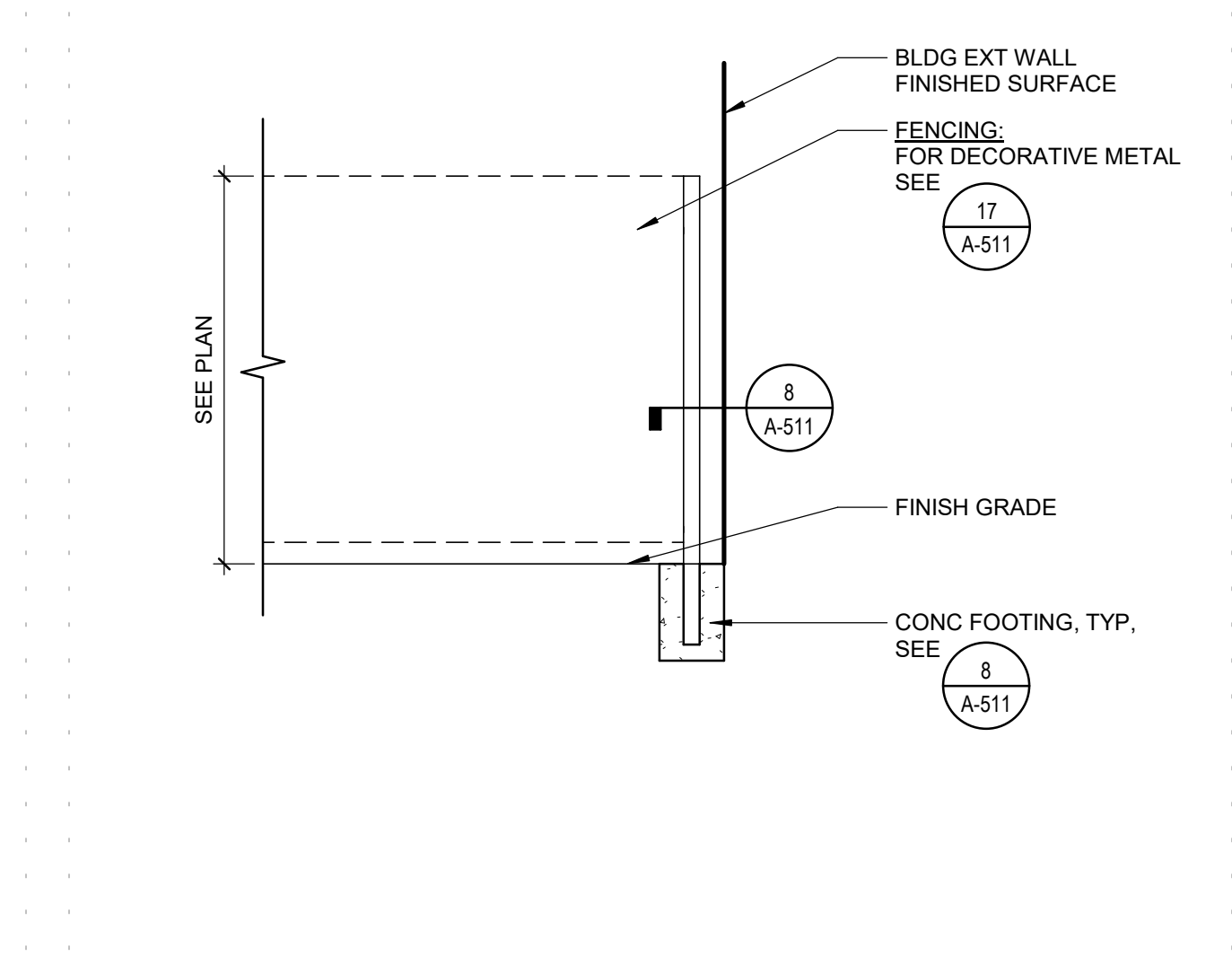
1. MINIMUM INTERMEDIATE POST HOLE DIAMETERS:

PIPE OUTSIDE DIA. (in)	POST HOLE DIA. (in)	SETTING DEPTH (in)
2.375	12.0	30.0
2.875	16.0	36.0
4.0	18.0	42.0
6.625	24.0	48.0

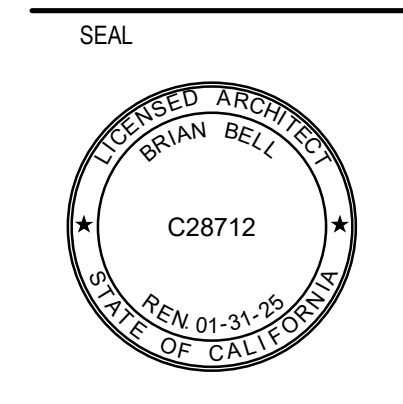
2. MINIMUM TERMINAL POST (END, CORNER, GATE) HOLE DIAMETER AND SETTING DEPTH:

GATE LEAF WIDTH (ft)	FABRIC HEIGHT (ft)	POST SIZE (in)	HOLE DIA (in)	SETTING DEPTH (in)
4	6 OR LESS	2.375	16	30
OVER 4 - 10	6 OR LESS	2.875	16	36
OVER 10 - 18	6 OR LESS	4.0	18	42

SEE SPEC SECTION 32.31.19 AND 32.31.19.16 FOR ADDITIONAL INFO



LIONAKIS
 2025 Nineteenth Street
 Sacramento CA 95818
 P 916.558.1900
 www.lionakis.com



PROJECT
JOHN F KENNEDY HIGH SCHOOL SWIMMING POOL UPGRADE

6715 GLORIA DR
 SACRAMENTO, CA 95831

CLIENT
 SACRAMENTO CITY UNIFIED SCHOOL DISTRICT

ISSUED

MARK	DATE	DESCRIPTION
ADD01	5/10/2024	ADD 01
ADD02	7/23/2024	ADD 02

MANAGEMENT
 LIONAKIS PROJECT NO. 023264
 CLIENT PROJECT NO.
 COPYRIGHT: LIONAKIS 2017

TITLE
DECORATIVE METAL FENCE & GATE DETAILS

SHEET
A-511

7/23/2024 10:02:25 AM Autodesk Docs: 023264.SUSD_IPHNS Pool Upgrade/023264_ARCH/MASTER_DRAWING/023264.A-511

